



TS8013B LF

10 BASE-T SMD ETHERNET TRANSFORMER

P/N:TS8013B LF DATA SHEET

Feature



- 16 PIN SMD package to compliant with IEEE 802.3 standard.
- Model is available to interface with 10 Base-T transceivers.
- Compatible with IR oven processes.
- Comply with RoHS requirements-whole part No Cd, No Hg, No Cr6+, No PBB and PBDE and No Pb on external pins.
- Comply with Air reflow profile of JEDEC 020C
- Operating temperature range: 0 to +70 .
- Storage temperature range: -25 to +125 .

Electrical Specifications @ 25°C

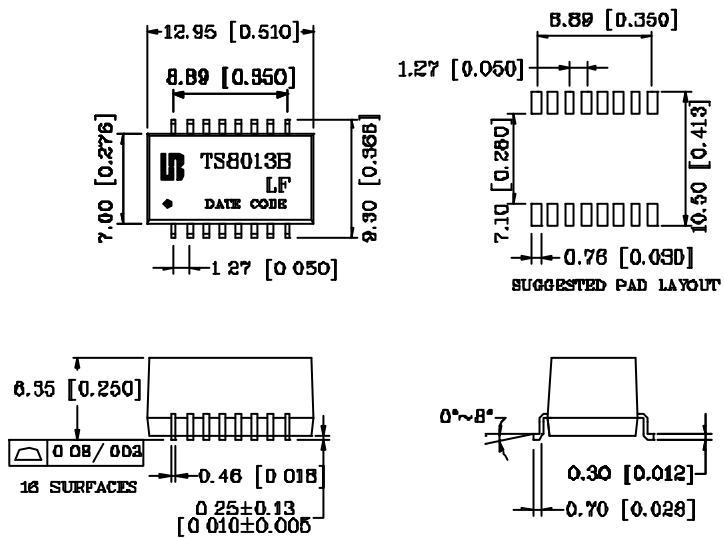
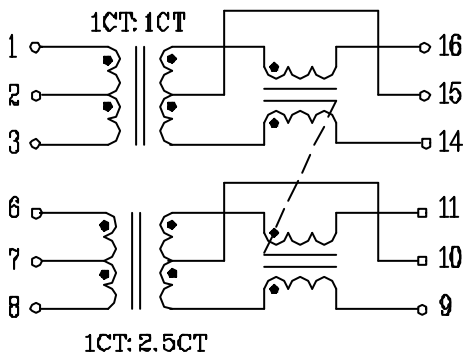
Part Number	Turns Ratio (±3%)		OCL (uH Min)	L.L (uH Max)	
	1-3:16-14	6-8:11-9	(1-3)&(6-8)	1-3	6-8
TS8013B LF	1CT:1CT	1CT:2.5CT	150	0.5	0.6

Continue

Part Number	C _{www} (pF Max)		DCR (O Max)	HI-POT (Vrms)
	1 to 16	6 to 11	(1-3)&(6-8)	
TS8013B LF	17	20	1.0	1500

Schematic

Mechanical



Units:mm[Inches] all Tolerance are :±0.25[0.010]